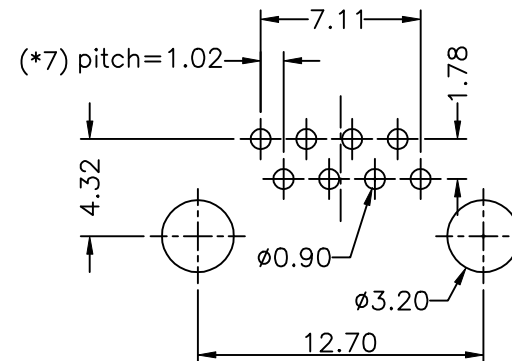
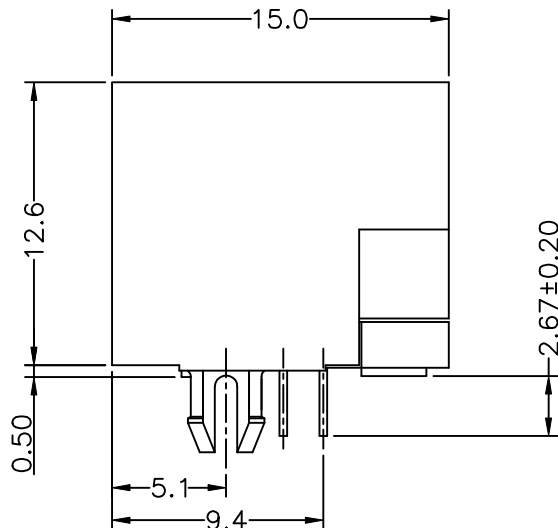
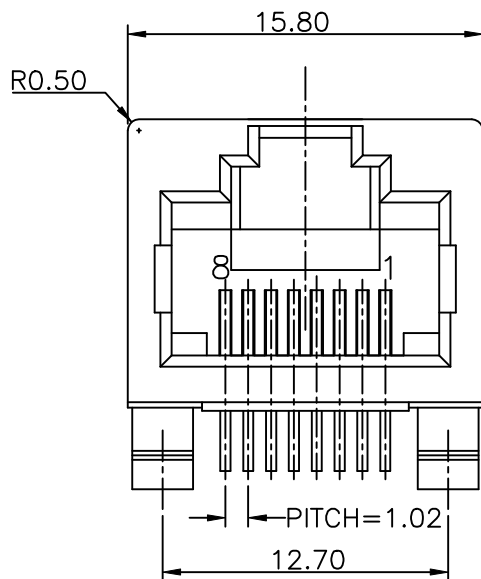


A1RFRD10

REVISION RECORD				
REV	ECO	DESCRIPTION	DRFT	CHKD



PC Board Thickness = 1.60mm
 PC Board Layout Component Side Shown

NOTES:

ELECTRICAL:

- VOLTAGE RATING : 125 VAC RMS.
- CURRENT RATING : 1.5 AMP.
- CONTACT RESISTANCE : 30 MILLIOHMS MAX.
- INSULATION RESISTANCE: 1000 MEGOHMS MIN @ 500 VDC.
- DIELECTRIC STRENGTH : 1000 VAC RMS 60Hz, 1MIN.
- OPERATING: 750 CYCLES MIN.

MECHANICAL:

- HOUSING MATERIAL : PBT+30%G.F UL94V-0. COLOR-BLACK.
- INSERT MATERIAL : PBT+30%GF UL94V-0. COLOR-BLACK.
- CONTACT MATERIAL : PHOSPHOR BRONZE 0.35mm THICKNESS.
- PLATING : GOLD PLATING OVER NICKEL.
- PCB RETENTION PRE-SOLDER : 1 LB MIN.
- PCB RETENTION POST-SOLDER: 10 LBS MIN.

ENVIRONMENTAL:

- STORAGE : -40°C TO +85°C.
 - OPERATION: 0°C TO 70°C.
 - WAVE SOLDERING TEMPERATURE: 230~250° (3~5 SECONDS)
- MATES WITH MODULAR PLUG CONFORMING TO
 FCC PART 68, SUBPART F.

PART NUMBER: E 5J 8 8 - 0 0 L 0 X X-L

TYPE: _____
 G-STAMPED PIN
 H-ROUND PIN

PLATING: 1-3u"
 2-6u"
 3-15u"
 4-30u"
 5-50u"

DETACHED LISTS	MM (INCH)		DFTO Joke	DATE 05/10/05 ¹	FULL RISE ELECTRONIC CO., LTD	
	TOLERANCES EXCEPT AS NOTED		CHKDSAMMY	DATE 2005/5/10		
	MM	±	MFO	DATE	TITLE LED JACK UTP W/O LED	
	.0 ± 0.20	±	APPVLLUSHENG	DATE 2005/5/10		
.00 ± 0.15	±	MATERIAL :		DRAWING NO. GE5J3A16_LC		
.000 ± 0.075	±	ANGLES ±		/PART NO. SEE NOTE		
THIRD ANGLE PROJECTION		QTY :		DO NOT SCALE DRAWING		
		FINISH :		SHEET 1 OF 1		
		SCALE : 4:1		SIZE REV A3 0		